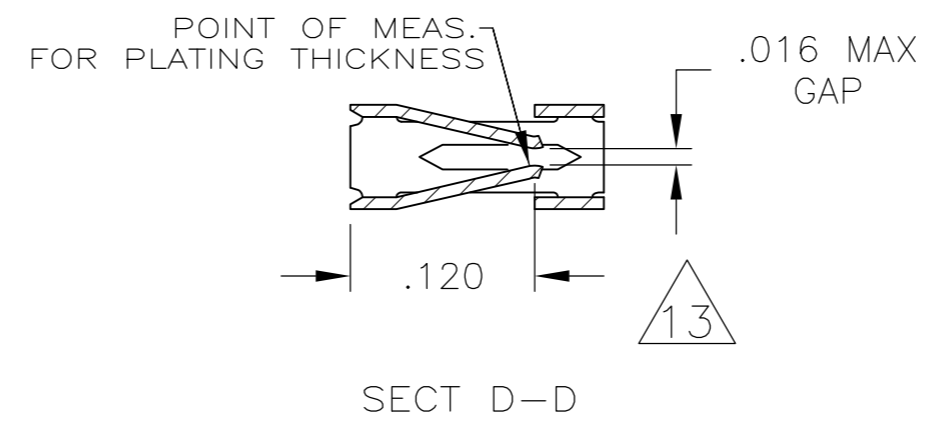
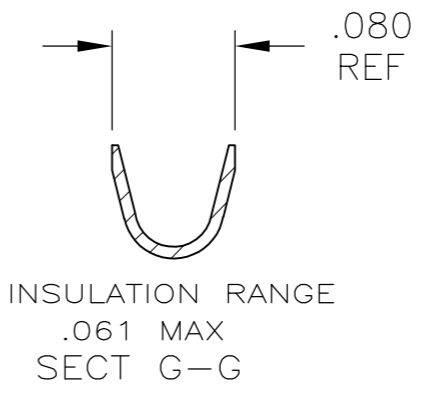
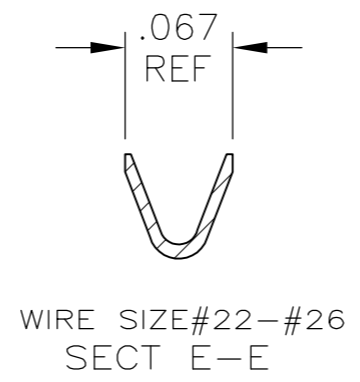
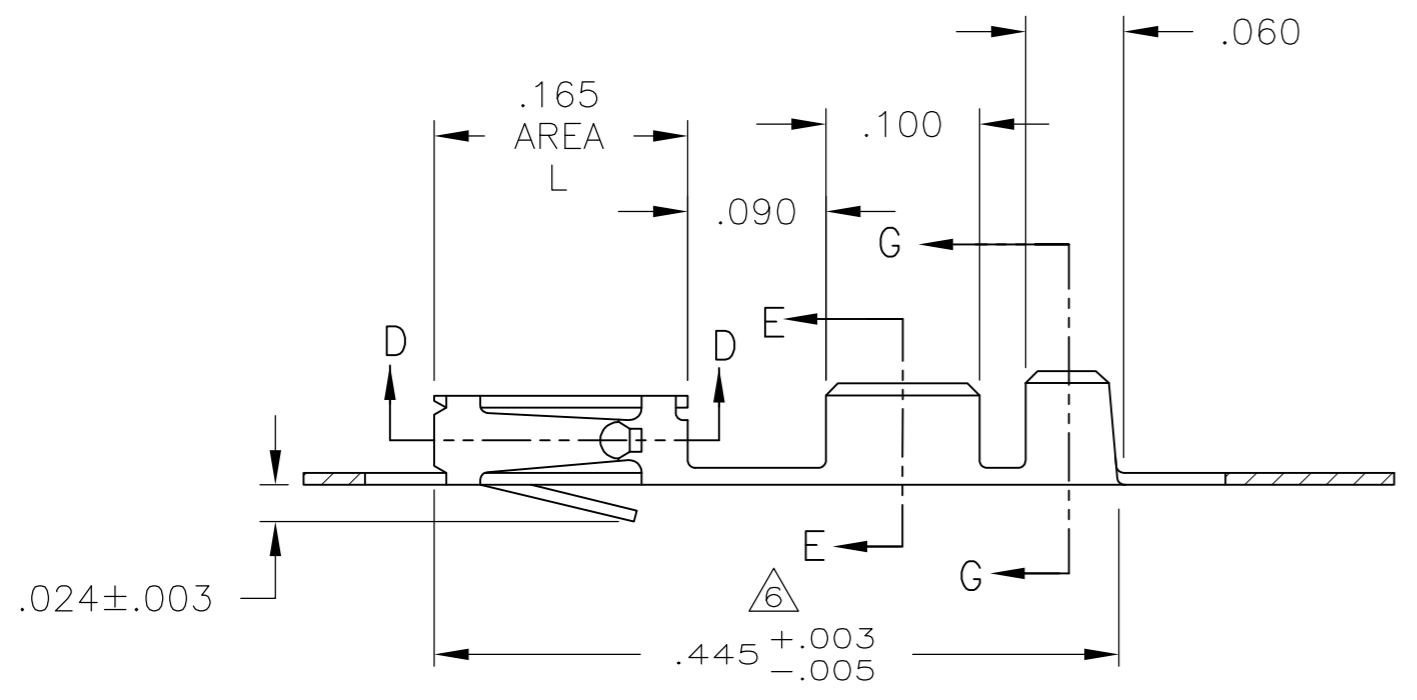
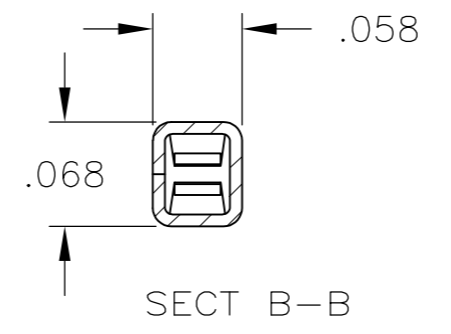
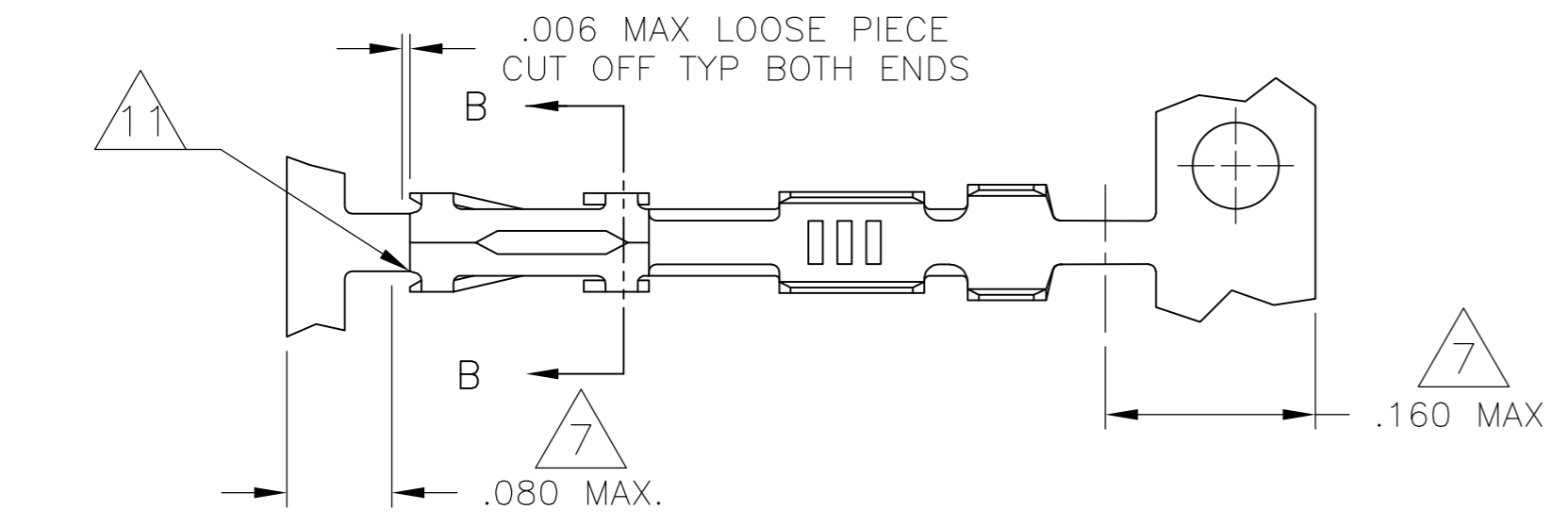


THIS DRAWING IS UNPUBLISHED. RELEASED FOR PUBLICATION
 © COPYRIGHT - By - ALL RIGHTS RESERVED.

LOC		DIST		REVISIONS			
P	LTR	DESCRIPTION	DATE	DWN	APVD		
AD	00						
	R	REVISED PER ECO-15-004633	30MAY2015	NK	JO		



- 1 REELED FOR MINI APPLICATOR.
- 2 .000030 GOLD OVER .000050 NICKEL.
- 3 GOLD FLASH OVER NICKEL, .000030 GOLD ON CONTACT AREA.
- 4 PREPLATED:(HALT).000078-.000158 BRIGHT TIN.
- 5 .000050 GOLD OVER .000050 NICKEL.
- 6 GOLD FLASH OVER NICKEL, .000015 GOLD ON CONTACT AREA.
- 7 GOLD PLATING NOT REQUIRED IN THIS AREA.
- 8 .000050 GOLD ON CONTACT AREA, GOLD FLASH AREA L OVER.000050/.000100 NICKEL ENTIRE CONTACT.
- 9 SHEARED EDGES MAY BE UNPLATED.
- 10 REELED FOR STANDARD APPLICATOR.
- 11 CUT OUTS ON BOX AT MANUFACTURER'S OPTION.
- 12 OBSOLETE PART NUMBER.
- 13 PT. OF MEAS. FOR PLATING THICKNESS(INSIDE BEAMS).
- 14 .000015 GOLD IN THE CONTACT AREA, .000050 NICKEL OVER THE ENTIRE TERMINAL.
- 15 OBSOLETE PARTS: OBSOLETE CIS STREAMLINING PER D.RENAUD/D.SINISI.

9 15	OBSOLETE	12 -7	9 14	1-87666-9
1	12 -7	87667-6	8 7	1-87666-6
1	12 -1	87667-5	6 7	87666-5
1	12 -0	87667-4	5 7	87666-4
	12 -9	87667-3	4	87666-3
	12 -8	87667-2	3 7	87666-2
	12 -7	87667-1	2 7	87666-1
	PART NO.	LOOSE PIECE PART NO.	FINISH	1 PART NO.

THIS DRAWING IS A CONTROLLED DOCUMENT. DWN E.C.CLAYBAUGH 8/03/98

CHK -

APVD -

PRODUCT SPEC -

APPLICATION SPEC -

MATERIAL CU-NI-SI FINISH SEE TABLE

WEIGHT -

CUSTOMER DRAWING

TE TE Connectivity

CONTACT, FEMALE
MOD IV, CRIMP SNAP-IN

SIZE A2 CAGE CODE 00779 DRAWING NO C=87666 RESTRICTED TO -

SCALE 8:1 SHEET 1 of 1 REV R